

OKAFRAME Interior – Individual interior solutions

Glass partition wall systems from OKALUX provide individual and functional solutions for your interior partition walls and space dividers. They are designed according to bespoke, project-specific requirements with the objective of increasing comfort and using spaces efficiently. Glass partition wall systems from OKALUX are constructed from our high-quality design units combined with established steel or stainless steel profiles. OKALUX provides you everything from one source: from assistance in planning through delivery and installation.

OKAFRAME glass partition wall solutions offer:

- functionality and aesthetics
- the use of daylight and protection of privacy
- sound insulation and UV protection as required
- bespoke design options by combining or integrating different materials, types of glazing and technologies.
 - digital printing, screen printing, glass etching
 - metallic and synthetic fabrics, textiles
 - timber grid inserts, wood veneers
 - light-diffusing capillary inserts
 - fixed and mobile louvre systems
 - switchable glazing
 - LED light panels, multimedia applications
 - project-specific special solutions
- flush mounted integration of revolving door elements
- option to use sliding doors with concealed belts
- displace ability, as they can be removed and modified
- fire protection and special safety requirements upon request
- a complete service including the design, consultancy up to delivery and installation, if required
- the ability to easily recycle
- continuous functional performance



Applications

Typical uses for OKAFRAME glass partition wall solutions, among others, are as partition walls in offices, corridors and areas of differing usage in public buildings, banks, libraries, hotels, museums, hospitals, retirement homes and also in new buildings and in property renovation.



Physical properties

Thermal insulation

Requirements on the thermal insulation, e.g. for partition walls between warm and cold areas, can be realised by means of a broad range of individual design solutions.

The U_g value depends, among other things, on the:

- space between the panes (SZR)
- emissivity of the glass coating
- properties of the inserts being used (e.g. transparent thermal insulation)

Sound insulation

The R_w value of a glass partition wall system depends on various parameters:

- the thickness of the glazing
- the structure of the laminated glass
- the space between the panes
- the asymmetrical glass structure
- the structure of the substructure

A rated sound insulation value R_w up to 41 dB in accordance with DIN 4109 is possible with OKAFRAME.

Safety technology properties

Fire protection

As a standard variant without requirements (class EI0)

Fire protection doors, fire-resistant screens and glazing E 30- E 120 / EW 30-EW 60 according to DIN EN 1634

Fire protection doors, EI 30- EI 120 according to DIN EN 1634

Fire-resistant glazing and screens EI30-EI120 (F30-90) according to DIN EN 1634

Fire protection doors EI30-EI90 (T30-90) as per DIN EN 1634 in combination with fume protection requirements

Fire protection sliding door EI 30 as per DIN EN 1634-1

Individual fire protection solutions possible upon request.

Smoke protection

Fume protection doors RS-1/RS-2 according to DIN EN 1634-3

Anti-burglary

Anti-burglary doors WK 1-3 as per DIN EN 1627-1630

Spectral properties

A wide range of properties regarding radiation technology can be realised in accordance with requirements. Transparent, semi-transparent, translucent, coloured, light-diffusing, angle-selective, opaque and switchable designs can be carried out. Moreover, a multitude of functional and aesthetically

sophisticated OKALUX inserts can be combined with the glazing units. Refer to the information sheet accompanying the respective glazed product for the precise U_g value.

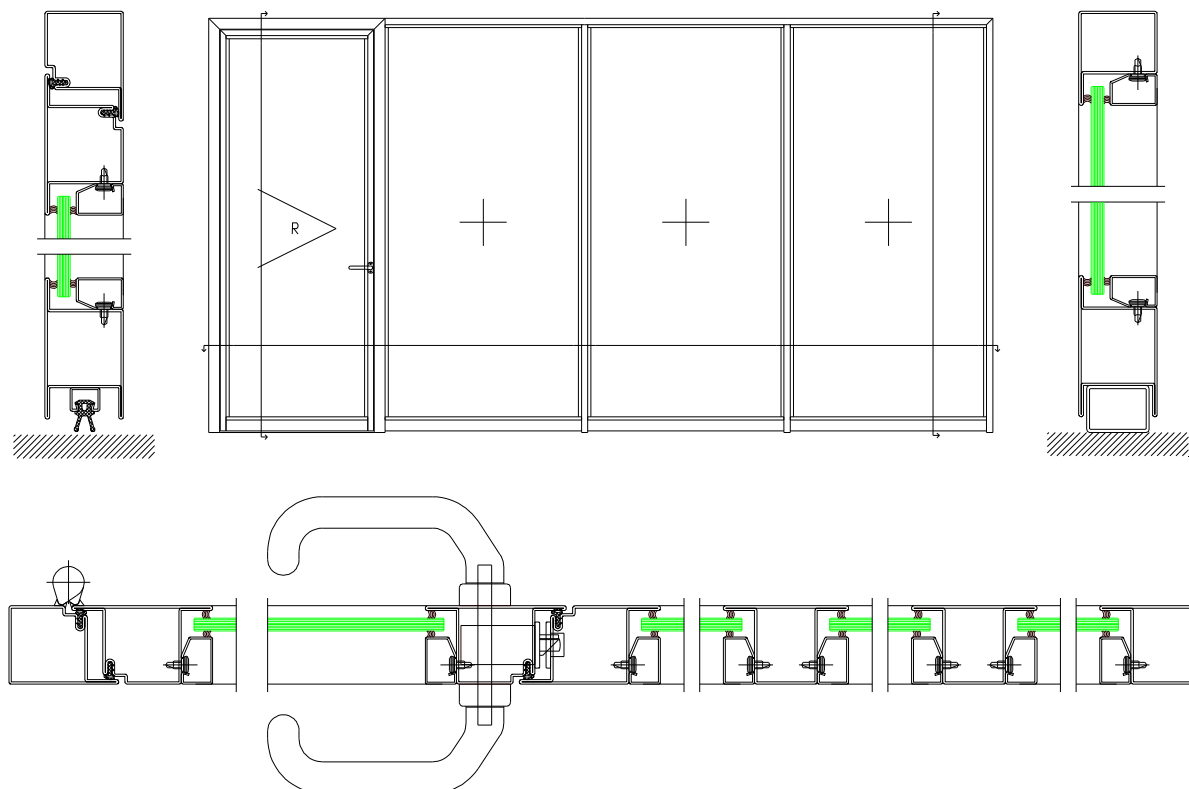
Make-up

OKAFRAME glass partition wall solutions are non-load bearing partition walls as per DIN 4103. In accordance with the demands on structure and acoustics, the profile system can be manufactured using a variety of glass thicknesses.

The uniform appearance of single or double glazing can also be enhanced with the use of the flush integration of revolving door elements. We provide a broad range of system connections. The panes of glass are inserted in the profile and then fixed with glass strips and sealed.

Glass structure: from 8 mm as a single pane up to 42 mm as insulating glass.

Exemplary glass partition wall element:



Dimensions

Glass dimensions

- Width: standard from 800 to 1500 mm
- Height: standard max. up to 3000 mm
- Other dimensions available upon request

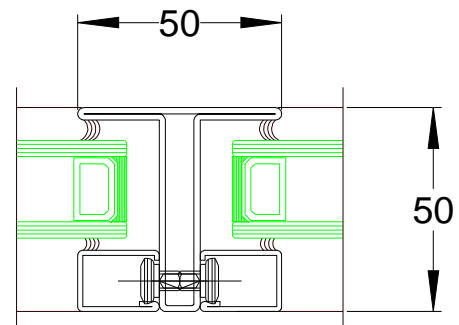
Profiles:

- Steel powder-coated according to RAL (up to 250 colours)
- Galvanized steel
- Stainless steel, surface quality: grinded (grade 220-240)
- Galvanized steel with aluminium covering shell
- The corner and but joints will be welded and polished or inserted.

OKAFRAME 50

Frame width as of 50 mm

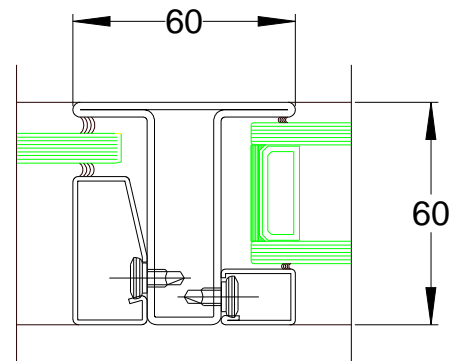
Mounting depth of sash and frame 50 mm



OKAFRAME 60

Frame width as of 60 mm

Mounting depth of sash and frame 60 mm

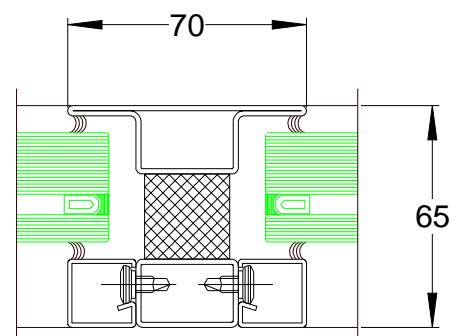


OKAFRAME FIRE

Fire protection variant

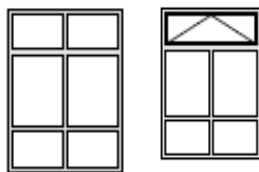
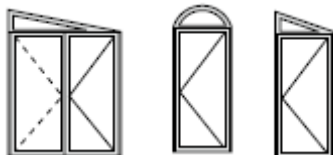
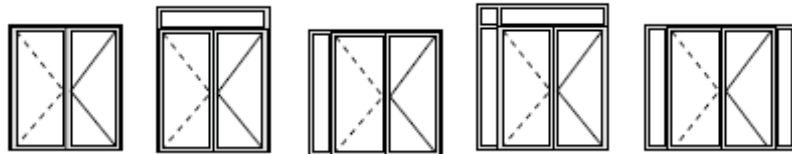
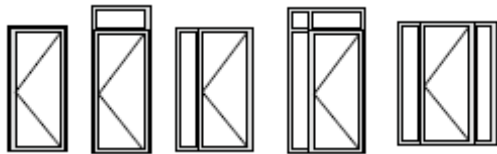
Frame width as of 70 mm

Mounting depth of sash and frame 65 mm



Fittings and accessories for the integration of doors are included in the profile system. Locks, fittings and handle sets are available in a variety of materials and designs.

Application examples



Planning instructions

Each of our partition wall elements is a unique specimen, produced to meet your individual project instructions. You obtain all services – from the consultation, planning and production through to installation – from one source. Please contact us in concept and design stage enabling us to develop and specify your requirements as early as possible.

Special project related requirements can already be taken into consideration at planning stage in order to ensure a punctual and professional execution.

Installation instructions

We are only working together with qualified framing specialists to assemble and install the elements. We take detailed plans and our own on-site measurements to ensure that the elements are manufactured precisely to suit your construction project and to respect your time schedule. This helps to keep installation work, dirt and noise to a reduced minimum. The complexity of site assembly work is also reduced as the partition walls are already preinstalled with the majority of the necessary fittings and gaskets during the production stage. Elements which can only be installed on site due to their size will be assembled using connectors.

Other printed matter

If you do not have the following printer matter, please request it directly from OKALUX or download it from the Internet at www.okalux.com:

General terms and conditions of business
Product-specific information texts

As well as these, there are the following customer notes:

Customer notes on offers
Customer notes on delivery
Customer notes alarm glass
Customer notes screen printing
Customer notes Structural Glazing / Edge deletion
Customer notes on heat-soak test
Customer notes on glazing
Customer notes SIGNAPUR®
Customer notes installation of OKAFLEX
Customer notes installation of OKAPANE
Customer notes OKAWOOD tolerances
Customer notes – OKACELL product specification
Cleaning instructions for OKALUX gen.
Cleaning instructions OKACOLOR
Guideline for visual quality